

Gardner Denver

ROTARY VANE COMPRESSORS/VACUUM PUMPS
FOR VACUUM TANKERS

Wittig **RFL**



The Wittig Advantage

Higher Efficiency =

- = Cooler running temperatures
- = Less prone to overheating
- = Less oil smoke
- = Lower oil consumption

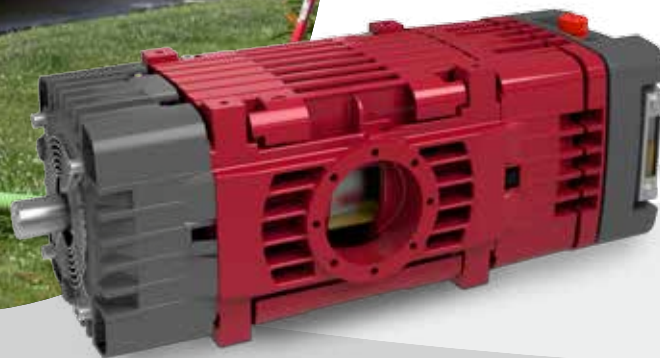
= Reduced Operating Costs

Deeper Vacuum

Gardner Denver RFL pumps provide 24 inHg continuous vacuum versus the industry standard of 20 inHg continuous vacuum.

Advantages of Deeper Vacuum Capability

- Longer working hose length
- Provides flexibility at tight job sites
- Increased working depth
- Ability to pull material up from deeper tanks
- Faster load/off-load times
- Reduces load times up to 25%



Don't take our word for it!
Hear what others are saying:

“My [Wittig] helps me
get the job done faster,
and that helps keep my
customers happy.”

—Owner/Operator
Tank Truck Fleet

MONEY IN YOUR POCKET

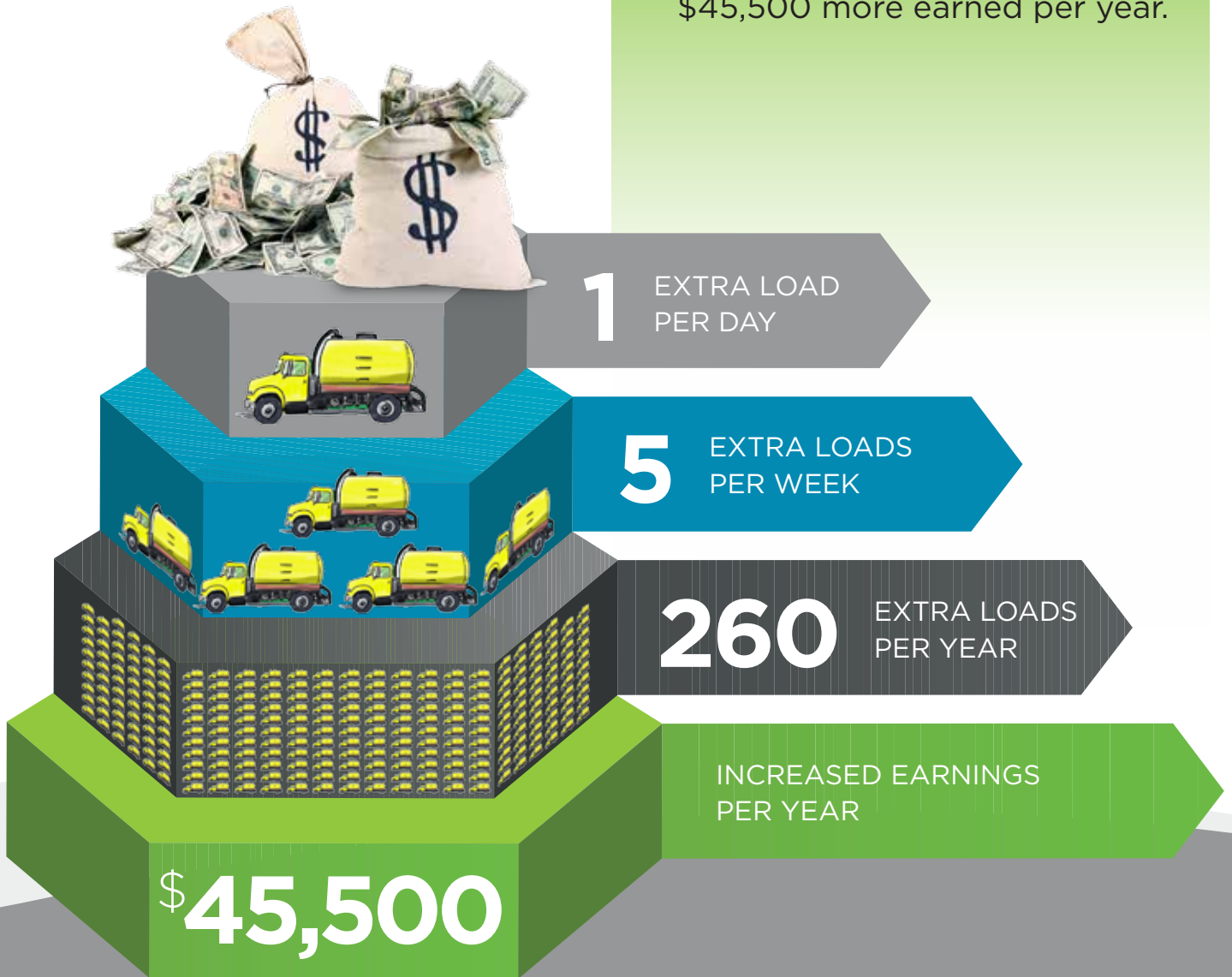
20 inHg continuous

4 loads/day, 20 loads/week, 1040 loads/yr

24 inHg continuous

5 loads/day, 25 loads/week, 1300 loads/yr

If each load is \$175, that's
\$45,500 more earned per year.



Applications & Industries



WHERE THEY LIVE

Restaurant grease traps

Septic tanks, holding pits, and cesspool pumping

Flood and product spill skimming and cleanup

Sludge removal from commercial dairy and feedlots

Oil well service, saltwater, and drilling mud hauling



Don't take our word for it!
Hear what others are saying:

“Our Wittig pump pulls the tank
down faster and allows us to
complete jobs faster than
previous pumps we've had.”

—Owner/Operator
Tank Truck Fleet

Wittig RFL Compressor/Vacuum Pump

Drive Flexibility

Central mounting point and keyed drive shaft allow for many drive options:

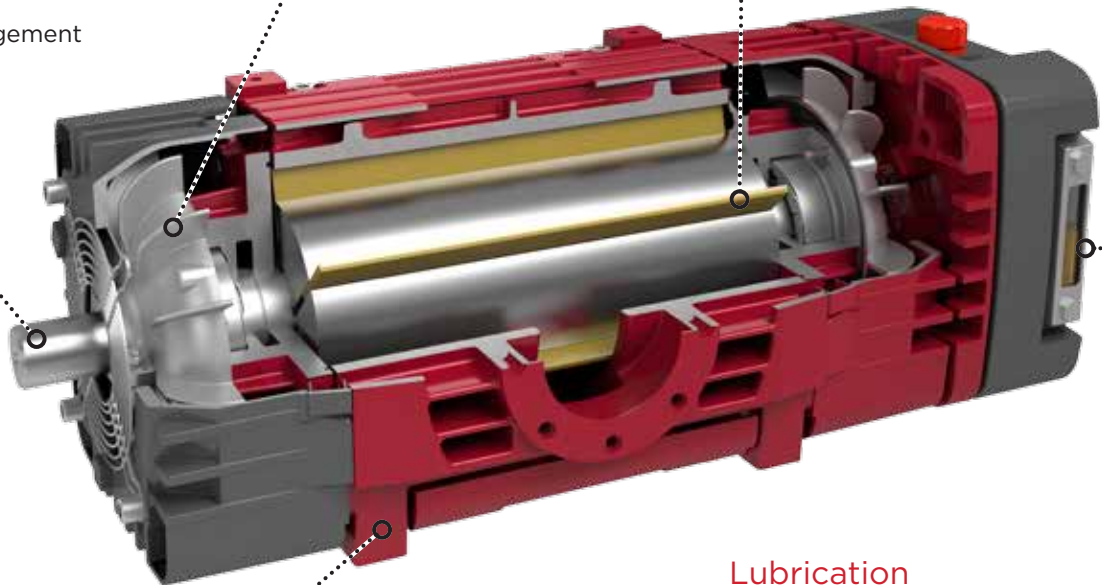
- Right angle gear box
- Hydraulic motor
- V-belt drive arrangement

Cooling

Two shaft mounted fans move air axially across the blower fins, keeping the machine cool even during extended run times.

New, Improved Vane Material

Provides quieter operation over previous vane material.



Installation

Top and bottom mounting holes allow for mounting flexibility. It can be either suspended from the top, or sitting on the bottom.

Lubrication

A shaft driven, integrated oil pump provides consistent lubrication, and a large oil tank allows for lubrication even during long run periods. Oil sight glasses on both sides allow for easy level checks.



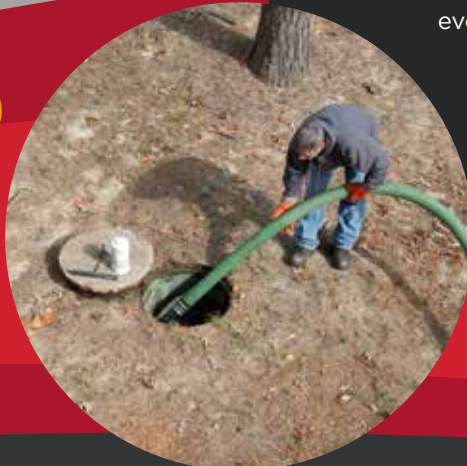
Don't take our word for it!
Hear what others are saying:

“Since we started specifying Wittig pumps
[on our tank trucks] we have had zero
warranty claims.”

—VP Marketing
OEM Tank Truck Manufacturer

Durability

For over 100 years, Wittig has been the benchmark for quality and reliability. With advanced design and precision construction, you can be sure the Wittig vacuum pumps will perform every job you demand of it.



Options & Packages



Bare RFL pump

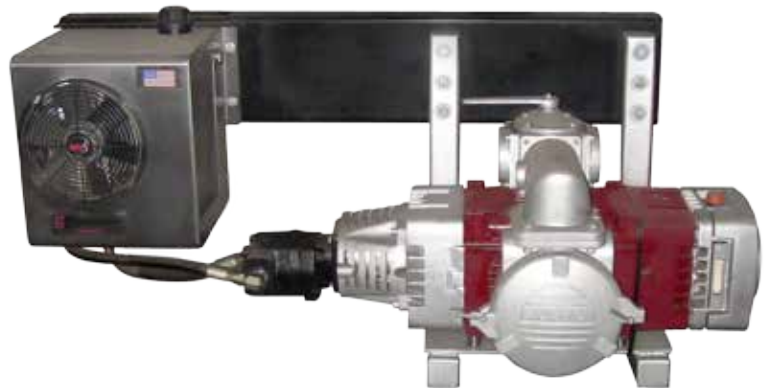


In-line Drive Wittig RFL

- Mounting bracket and hardware
- Inlet and discharge flanges
- Direct drive capability reduces misalignment issues



RFL with manifold and 4-way valve



Hydraulic Drive RFL System

- Hydraulic drive trunk
- Hydrapak oil conditioner
- Inlet/discharge manifold
- 4-way selector valve
- Final filter



RFL with manifold, 4-way valve, and final filter

Accessories & Aftermarket



Hydraulic Drive

Enables direct hydraulic motor mounting, and keeps drive coupling enclosed



Flexible Drive Coupling & Guard

Drive coupling connects to the right angle gear box, and guard keeps the coupling enclosed, protecting both the operator and the truck.

Right-Angle Gear Box

Allows PTO drive with pump-mounted outside truck frame rail. Locating pin ensures proper alignment between shaft and gear box, eliminating drive train strain and keeping drive-line as efficient as possible.

Additional Accessories

- Discharge silencer
- Low oil level warning
- Non-return/check valve
- Pressure/vacuum gauge
- High capacity oil pump



Suction Filter

Protects the pump from coarse and fine grain impurities

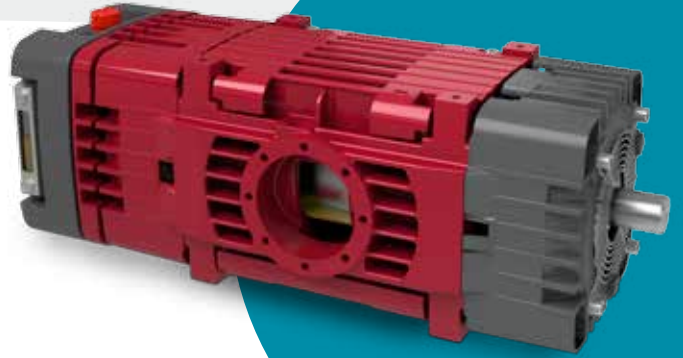
FACTS, FIGURES, & DATA

		VACUUM inHG						FREE AIR	PRESSURE PSIG				
		24	21	18	15	12	6	0	7.25	14.5	21.75	29	
RFL 60	1000	CFM	119	131	138	140	141	144	145	139	132	128	124
		HP	7.1	7.3	7.4	7.6	7.9	8.6	9.9	11.3	13.7	16.4	19.0
	1250	CFM	153	178	181	184	186	187	188	181	175	171	164
		HP	8.8	9.0	9.1	9.2	9.5	10.3	12.5	13.7	16.1	19.0	22.8
	1500	CFM	200	222	230	232	232	235	235	230	221	212	206
		HP	10.7	10.9	11.0	11.1	11.5	12.5	14.5	16.6	20.1	23.2	26.8
RFL 100	1000	CFM	187	208	222	232	240	245	247	243	232	221	207
		HP	12.1	12.9	13.7	14.5	15.1	16.8	18.1	20.8	24.4	29.0	33.5
	1250	CFM	246	275	296	306	315	324	325	319	306	291	275
		HP	16.1	16.8	17.4	18.1	18.8	20.4	22.5	25.1	30.2	35.8	42.0
	1500	CFM	309	353	376	388	400	414	417	400	384	359	333
		HP	18.8	19.8	20.8	21.7	22.5	24.3	26.1	29.2	35.5	42.1	48.9

COMPRESSOR/VACUUM PUMP		RFL 60 DV	RFL 80 DV	RFL 100 DV
OIL CONSUMPTION	fl oz/h	4.2	5.1	5.1
MASS MOMENT OF INERTIA	lb/ft ²	4.44	5.71	7
MAX. VACUUM - continuous operation	inHg	24	24	24
NOISE LEVEL at 7 m distance at 400 mbar/0.5 bar(g)	dB(A)	76/78	78/80	80/82
OIL TANK CAPACITY	gal (US)	1.3	1.3	1.3
WEIGHT, including non-return valve	lb	298	375	375

COMPRESSOR/VACUUM PUMP		RFL 60	RFL 80	RFL 100	
DIMENSIONS	A	mm inches	230 9.1	330 13	330 13
	B	mm inches	270 10.6	370 14.6	370 14.6
	C	mm inches	764 30	864 34.1	864 34.1
	D	mm inches	432 17	482 19	482 19
	E	mm inches	332 13	382 15	382 15
INTAKE FLANGE	DN	mm inches	65/80 2.6/3.1	80/100 3.1/3.9	100 3.9
	K	mm inches	150 5.9	150 5.9	150 5.9
	G	mm inches	M 12	M 12	M 12
DISCHARGE FLANGE	DN	mm inches	65 2.56	80 3.15	80 3.15
	K	mm inches	150 5.9	150 5.9	150 5.9
	G	mm inches	M 12	M 12	M 12
V-BELT DRIVE	Belt pulley diameter, min.		200 mm 7.8 in.		
	Profile/no. of belts		SPA/5		
	Permitted radial load at distance "J"=25 mm (0.98)			4750 N	
	Distance between belt pulley and fan cover		min. 12 mm 0.5 in.		

Performances based on inlet air at standard temperature of 68°F, and ambient pressure of 14.7 psia and 36% relative humidity. Dimensions shown in mm and inches.



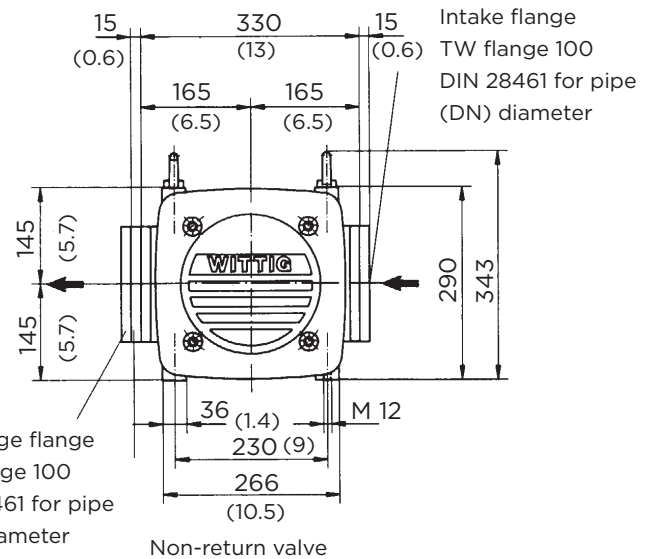
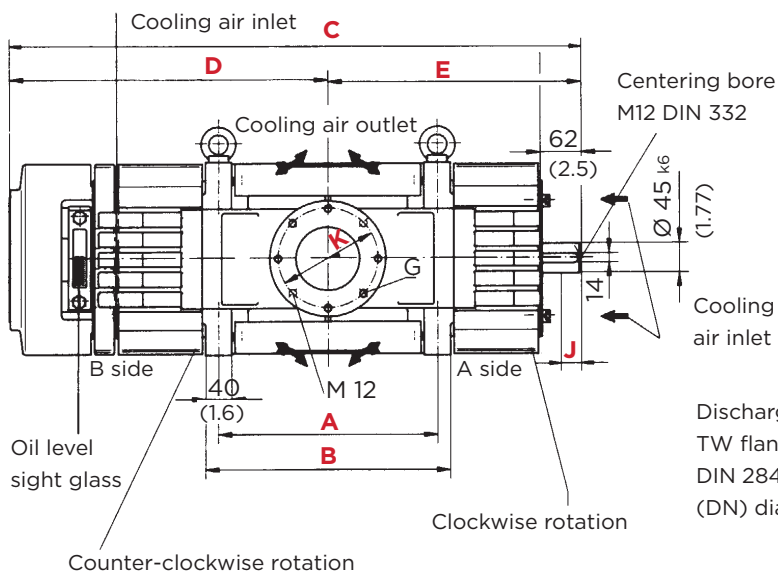
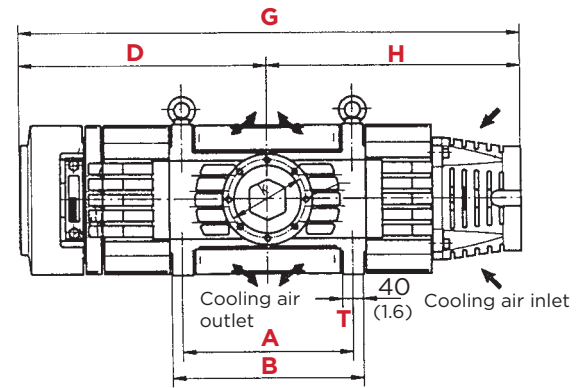
RFL COMPRESSOR/VACUUM PUMP

Fitted with a Hydraulic Motor Adaptor Flange

WEIGHT	RFL 60	RFL 80	RFL 100
kg	143	178	178
LB	315	392	392

DIMENSIONS		RFL 60	RFL 80	RFL 100
A	mm	230	330	330
	inches	9.1	13	13
B	mm	270	370	370
	inches	10.6	14.6	14.6
G	mm	874	974	974
	inches	34.1	38	38
D	mm	432	482	482
	inches	17	19	19
H	mm	442	482	482
	inches	17	19	19

Intermediate flange for hydraulic motor, includes coupling: 13 kg / 28.6 lb
Weights are in kilograms and pounds, and are approximate.
Dimensions are in mm and inches.



All dimensions shown in mm (inches)



Gardner Denver®

Gardner Denver, Inc.

1800 Gardner Expressway
Quincy, IL 62305
866-376-8181

www.gardnerdenverproducts.com

GD EQUIPMENT SERVICES AFRICA (PTY) LTD

+27 11 472 9333

www.gdequipment.com

**Gardner
Denver**

AUTHORIZED DISTRIBUTOR



©2016 Gardner Denver, Inc. Printed in U.S.A.
GDT-W-RFL 5th Ed. 2/16

Please recycle after use.